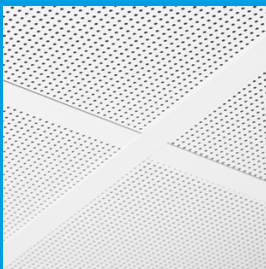


KNAUF

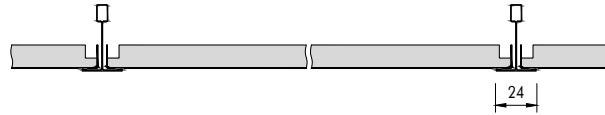
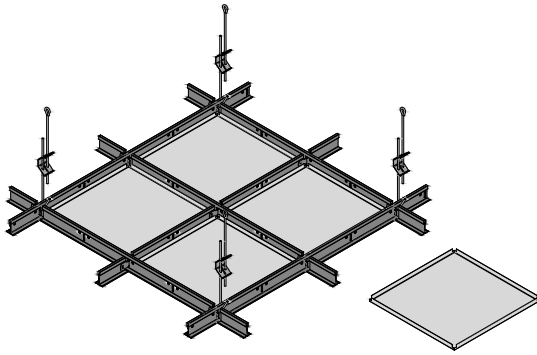
METAL **Board, MicroLook 8,** **Tegular 2, Tegular 8** *Exposed Grid*



- Lay-In tiles are available in a variety of edge details for installation on standard 15 and 24 mm suspension systems.
- Cost effective ceiling solution.
- Additional design options available as part of our Vario Design range.
- Used in a variety of ceiling areas: from small service rooms to large commercial office buildings and major transportation terminals.

Build on us.

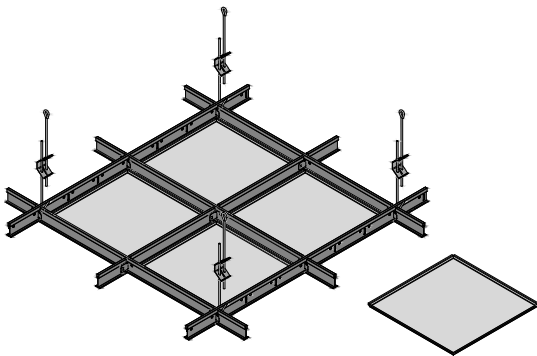
METAL Board



Tiles
 Material post-coated galvanised steel 0.5 mm
 Edge detail square edged lay-in
 Modules 600 x 600, 625 x 625, 1200 x 600 mm

Suspension system
 Standard 24 mm T-grid, butt-cut (System C)
 Optional 15 mm T-grid, butt-cut (System C)

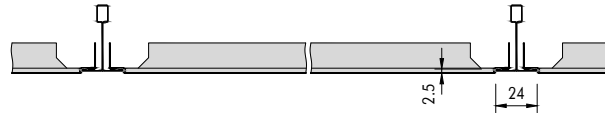
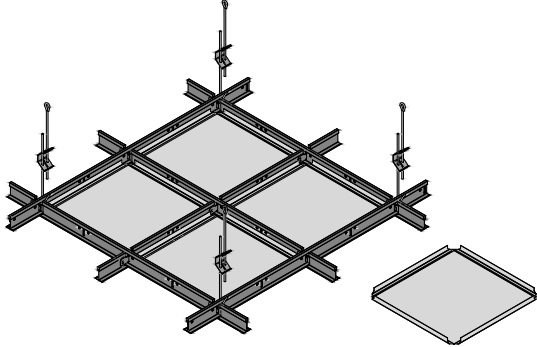
METAL MicroLook 8



Tiles
 Material post-coated galvanised steel 0.5 mm
 Edge detail square edged lay-in, with 8 mm drop
 Modules 600 x 600, 1200 x 600 mm

Suspension system
 Standard 15 mm T-grid (System C)
 Optional Perfectline

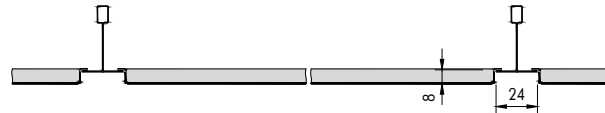
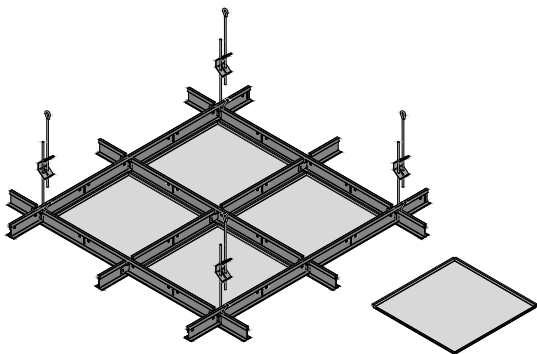
METAL Tegular 2



Tiles
 Material post-coated galvanised steel 0.5 mm
 Edge detail square edged lay-in, with 2.5 mm drop
 Modules 600 x 600, 625 x 625 mm

Suspension system
 Standard 24 mm T-grid, butt-cut (System C)

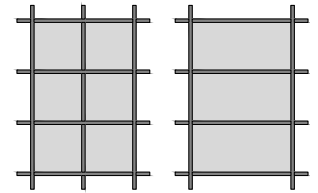
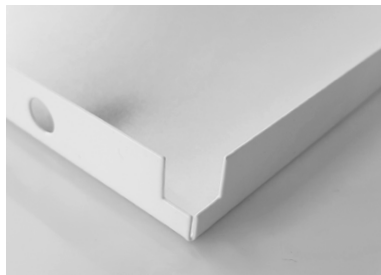
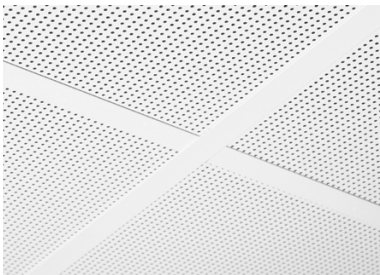
METAL Tegular 8



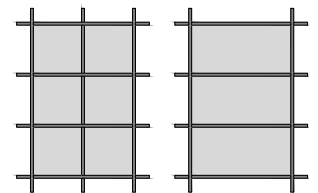
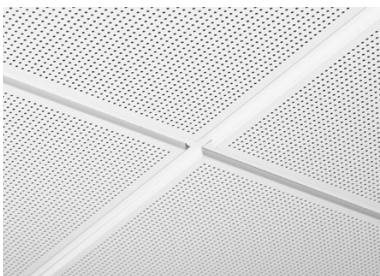
Tiles
 Material post-coated galvanised steel 0.5 mm
 Edge detail square edged lay-in
 Modules 600 x 600, 625 x 625, 1200 x 600 mm, with 8 mm drop

Suspension system
 Standard 24 mm T-grid (System C)

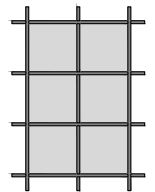
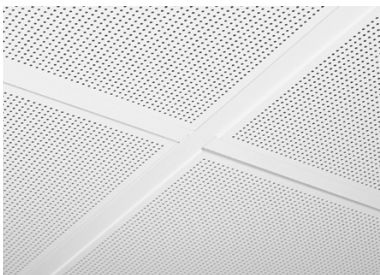
METAL Board



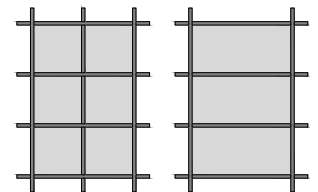
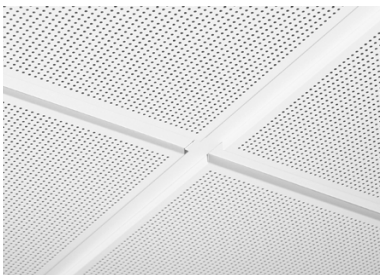
METAL MicroLook 8



METAL Tegular 2



METAL Tegular 8



Hold-down clip option

METAL MicroLook 8 METAL Tegular 8



The hold down clip option can be used to apply light pressure to the top of the tiles. This is not a security clip solution. Access to the plenum is made more difficult by the use of hold-down clips.

	VarioDesign options on request										Features & performances						
	Dimensions	Shapes	Post-coated aluminium	Perforations	RAL & NCS colours	BioGuard finish	Wood effect finish	Acoustic infills	Cut-outs	Grid alternatives	Secure function	Swing-down function	Clean room*	Seismic*	Impact resistance*	Fire resistance*	Suitable for chilled ceilings
METAL Board	■		■	■	■	■	■	■	■	■		■					
METAL MicroLook 8	■		■	■	■	■	■	■	■	■							
METAL Tegular 2			■	■	■	■	■	■	■			■	■				
METAL Tegular 8	■		■	■	■	■	■	■	■			■	■				

* see separate datasheet

Characteristic	Detailed information																																																																																																									
Colour / Perforations	RAL 9016 RAL 9010 RAL 9006 RAL 9007 RAL 9005	Unperforated Rg 0701 Rg 0704 Rd 1522 Rg 2516																																																																																																								
	further RAL & NCS colours on request																																																																																																									
Acoustic infills	Black acoustic fleece VLSRX																																																																																																									
Weight	3.2 - 3.9 kg/m ²																																																																																																									
Acoustics	Weight varies depending on the perforation and acoustic infill. <table border="1" style="width: 100%; border-collapse: collapse; text-align: center;"> <thead> <tr> <th rowspan="3"></th> <th colspan="10">EN ISO 354</th> <th>EN ISO 10848-2</th> <th>EN ISO 10140-2</th> </tr> <tr> <th rowspan="2">α_w</th> <th rowspan="2">Cavity [mm]</th> <th rowspan="2">Class</th> <th colspan="6">Frequency (Hz) α_p</th> <th rowspan="2">NRC</th> <th rowspan="2">D_{n,f,w} [dB]</th> <th rowspan="2">R_w [dB]</th> <th rowspan="2">CAC [dB]</th> </tr> <tr> <th>125</th> <th>250</th> <th>500</th> <th>1000</th> <th>2000</th> <th>4000</th> </tr> </thead> <tbody> <tr> <td>Unperforated</td> <td>0.10(L)</td> <td>200</td> <td>NC</td> <td>0.40</td> <td>0.20</td> <td>0.10</td> <td>0.10</td> <td>0.10</td> <td>0.15</td> <td>0.15</td> <td>0.15</td> <td>34</td> <td>19</td> <td>35</td> </tr> <tr> <td>Rg 0701 + VLSRX</td> <td>0.65(LM)</td> <td>200</td> <td>C</td> <td>0.50</td> <td>0.85</td> <td>0.90</td> <td>0.65</td> <td>0.60</td> <td>0.50</td> <td>0.75</td> <td>0.75</td> <td>19</td> <td>10</td> <td>20</td> </tr> <tr> <td>Rg 0704 + VLSRX</td> <td>0.80(L)</td> <td>200</td> <td>B</td> <td>0.45</td> <td>0.85</td> <td>0.95</td> <td>0.75</td> <td>0.75</td> <td>0.70</td> <td>0.85</td> <td>19</td> <td>10</td> <td>19</td> </tr> <tr> <td>Rd 1522 + VLSRX</td> <td>0.60</td> <td>200</td> <td>C</td> <td>0.25</td> <td>0.60</td> <td>0.75</td> <td>0.50</td> <td>0.60</td> <td>0.60</td> <td>0.60</td> <td>14</td> <td>6</td> <td>15</td> </tr> <tr> <td>Rg 2516 + VLSRX</td> <td>0.70</td> <td>200</td> <td>C</td> <td>0.30</td> <td>0.70</td> <td>0.85</td> <td>0.60</td> <td>0.70</td> <td>0.70</td> <td>0.70</td> <td>16</td> <td>6</td> <td>16</td> </tr> </tbody> </table> aw: as per EN ISO 11654 / NRC: as per ASTM C 423-01 / D _{n,f,w} : as per EN ISO 717-1 / CAC: as per ASTM E 413-10			EN ISO 354										EN ISO 10848-2	EN ISO 10140-2	α _w	Cavity [mm]	Class	Frequency (Hz) α _p						NRC	D _{n,f,w} [dB]	R _w [dB]	CAC [dB]	125	250	500	1000	2000	4000	Unperforated	0.10(L)	200	NC	0.40	0.20	0.10	0.10	0.10	0.15	0.15	0.15	34	19	35	Rg 0701 + VLSRX	0.65(LM)	200	C	0.50	0.85	0.90	0.65	0.60	0.50	0.75	0.75	19	10	20	Rg 0704 + VLSRX	0.80(L)	200	B	0.45	0.85	0.95	0.75	0.75	0.70	0.85	19	10	19	Rd 1522 + VLSRX	0.60	200	C	0.25	0.60	0.75	0.50	0.60	0.60	0.60	14	6	15	Rg 2516 + VLSRX	0.70	200	C	0.30	0.70	0.85	0.60	0.70	0.70	0.70	16	6	16
	EN ISO 354										EN ISO 10848-2	EN ISO 10140-2																																																																																														
	α _w	Cavity [mm]		Class	Frequency (Hz) α _p						NRC	D _{n,f,w} [dB]	R _w [dB]	CAC [dB]																																																																																												
			125		250	500	1000	2000	4000																																																																																																	
Unperforated	0.10(L)	200	NC	0.40	0.20	0.10	0.10	0.10	0.15	0.15	0.15	34	19	35																																																																																												
Rg 0701 + VLSRX	0.65(LM)	200	C	0.50	0.85	0.90	0.65	0.60	0.50	0.75	0.75	19	10	20																																																																																												
Rg 0704 + VLSRX	0.80(L)	200	B	0.45	0.85	0.95	0.75	0.75	0.70	0.85	19	10	19																																																																																													
Rd 1522 + VLSRX	0.60	200	C	0.25	0.60	0.75	0.50	0.60	0.60	0.60	14	6	15																																																																																													
Rg 2516 + VLSRX	0.70	200	C	0.30	0.70	0.85	0.60	0.70	0.70	0.70	16	6	16																																																																																													
Fire reaction	Unperforated: Euroclass A1 ; Rg 0701 / Rg 0704 with acoustic fleece VLSRX: Euroclass A2-s1, d0 ; Rd 1522 / Rg 2516 with acoustic fleece VLSRX: Euroclass A2-s2, d0 as per EN 13501-1																																																																																																									
Light reflectance	RAL 9010 unperforated: 85% ; RAL 9010 Rd 1522: 66% ; RAL 9010 Rg 0701: 83% ; RAL 9010 Rg 2516: 73% ; RAL 9010 Rg 0704: 82%																																																																																																									
Humidity resistance	90% RH																																																																																																									
Indoor air quality	A+ E1 IAC Gold																																																																																																									
Sustainability/ Cleanability	17.3% (2023) ISO 9001 EN 15804 cradle to cradle SILVER																																																																																																									